

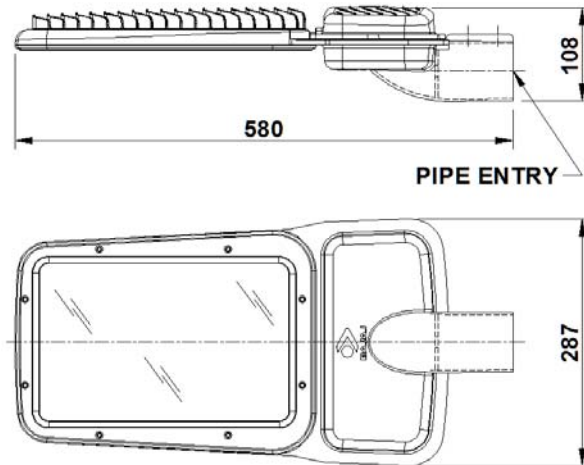


LED ROADWAY LIGHTING LUMINAIRE

"EDGE"

BRTFG 90W LED

TOP ACCESS TO DRIVER



NOMINAL DIMENSIONS IN mm Tolerance +/-5

Application

- Arterial roads,
- Main roads,
- Multi-level junctions,
- Traffic round-about,
- Civic centers. etc.

Specification

- Epoxy powder coated (RAL7024) pressure die-cast aluminium housing with weatherproof gasket for LEDs and control gear compartments.
- Pressure die-cast aluminium frame with heat resistant toughened clear glass fixed with SS screws.
- LED specification – make - CREE LED / Equivalent
Colour temp. – 5700 °K ± 300 °K
- Lens – make – LedLink / Equivalent
- Driver has protection against lightning, over voltage & short circuit.
- Side entry mounting for 50 to 60 mm OD pipe bracket.
- Top maintenance – Access to driver is from the top.
- Ingress protection : IP66

Electrical Data

Product Code	Cat. Ref.	Input Voltage (V) AC	System Current (Amp.) @240V AC	System Wattage (W) AC	Power Factor
169557	BRTFG 90W LED	110 - 280	0.390	90	> 0.95

Data subject to variation due to change/improvement in the design, materials and processes.

<p>BAJAJ LUMINAIRE Making the difference</p>	DRAWN	KPM	13-12-2013	FOR –
	CHECKED	SD		REV - 0 DATE-22-01-2014
	APPROVED	SC		DRG. No
	DATA SHEET RELEASED ON DT-			BRTFG 90W LED - 001
<p>BAJAJ ELECTRICALS LIMITED 15/17, SANT SAVTA MARG, REAY ROAD, MUMBAI-400 010.</p>				<p>* E-mail : luminaires@bajajelectricals.com</p>